

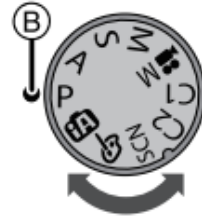
Telederm for the Lumix Digital Camera

1. Set the camera to Intelligent Auto by adjusting the mode dial:

Switching the mode by rotating the mode dial.

Align a desired mode with part (B).

- Rotate the Mode dial slowly and surely to adjust to each mode. (The mode dial rotates 360 °)

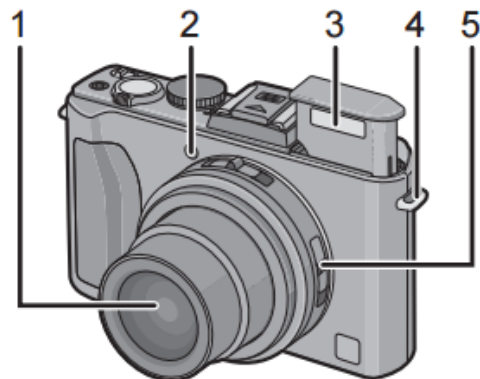


Intelligent Auto Mode

The subjects are recorded using settings automatically selected by the camera.

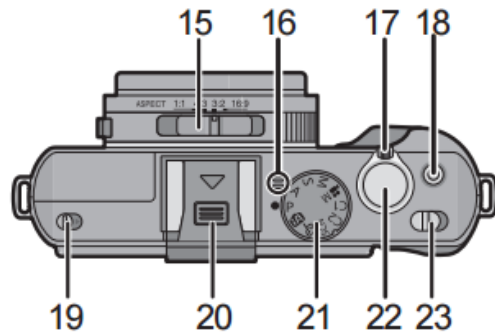
2. Set the camera to Intelligent Auto by adjusting the Focus selector switch:

- 1 Lens
- 2 Self-timer indicator
AF Assist Lamp
- 3 Flash
- 4 Shoulder strap eyelet
- 5 Focus selector switch



3. Adjust the Aspect ratio selector switch to 16:9 following these steps:

- 15 Aspect ratio selector switch
- 16 Microphone
- 17 Zoom lever
- 18 Motion picture button
- 19 Flash open switch
- 20 Hot shoe cover
- Keep the hot shoe cover out of reach of children to prevent swallowing.
- 21 Mode dial
- 22 Shutter button



4. Rotate the zoom lever to the furthest wide position. This will put the camera into macro mode (indicated by a flower on screen) for closer images.

- 15 Aspect ratio selector switch
- 16 Microphone
- 17 Zoom lever
- 18 Motion picture button
- 19 Flash open switch
- 20 Hot shoe cover
- Keep the hot shoe cover out of reach of children to prevent swallowing.
- 21 Mode dial
- 22 Shutter button
- 23 Camera ON/OFF switch

